
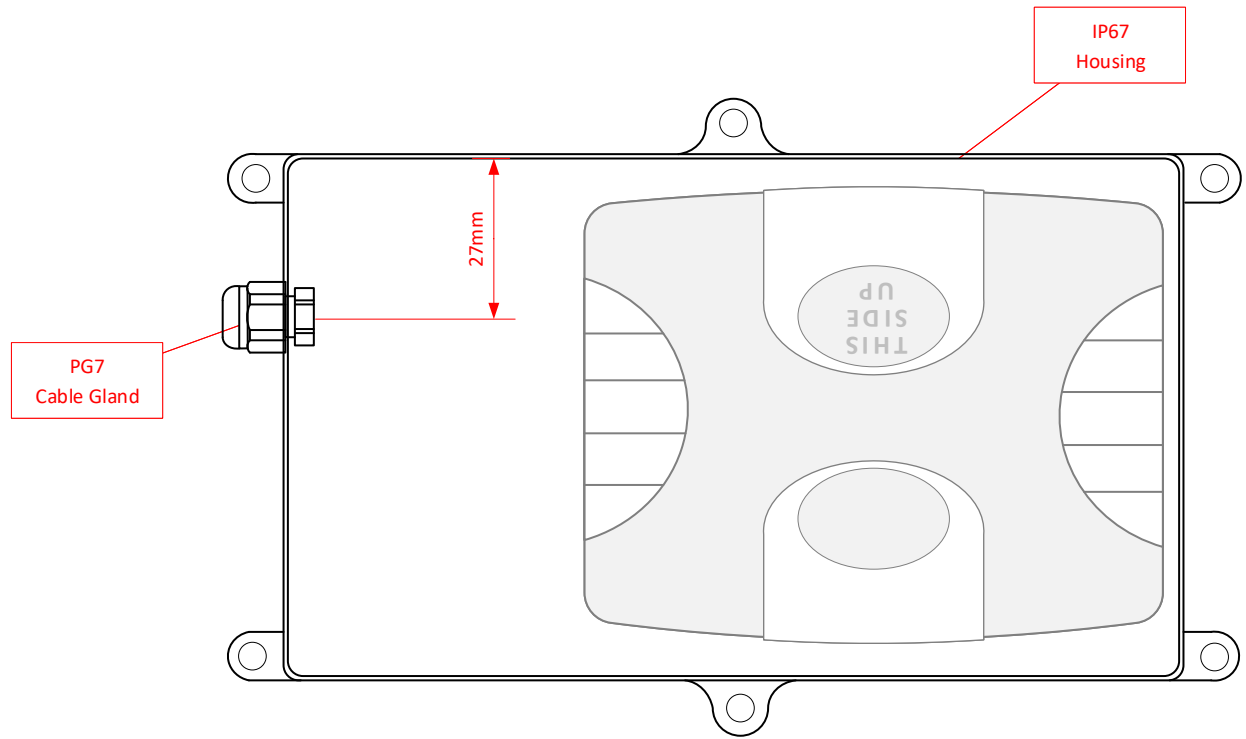



Comments	Version	Notes		N2031-019	
Internal Fuse		Date	09.03.2018	FleetSystem Cello IQ 30 IP67 Constant Ign.	
		Drawn by	Jan Åge Horn		
		Checked	Sign		
		Approved	Sign		
		Status	For Production		



Comments	Version	Notes		N2031-019	 GSG Group
Internal Fuse		Date	09.03.2018	FleetSystem Cello IQ 30 IP67 Constant Ign.	
		Drawn by	Jan Åge Horn		
		Checked	Sign		
		Approved	Sign		
		Status	For Production		