
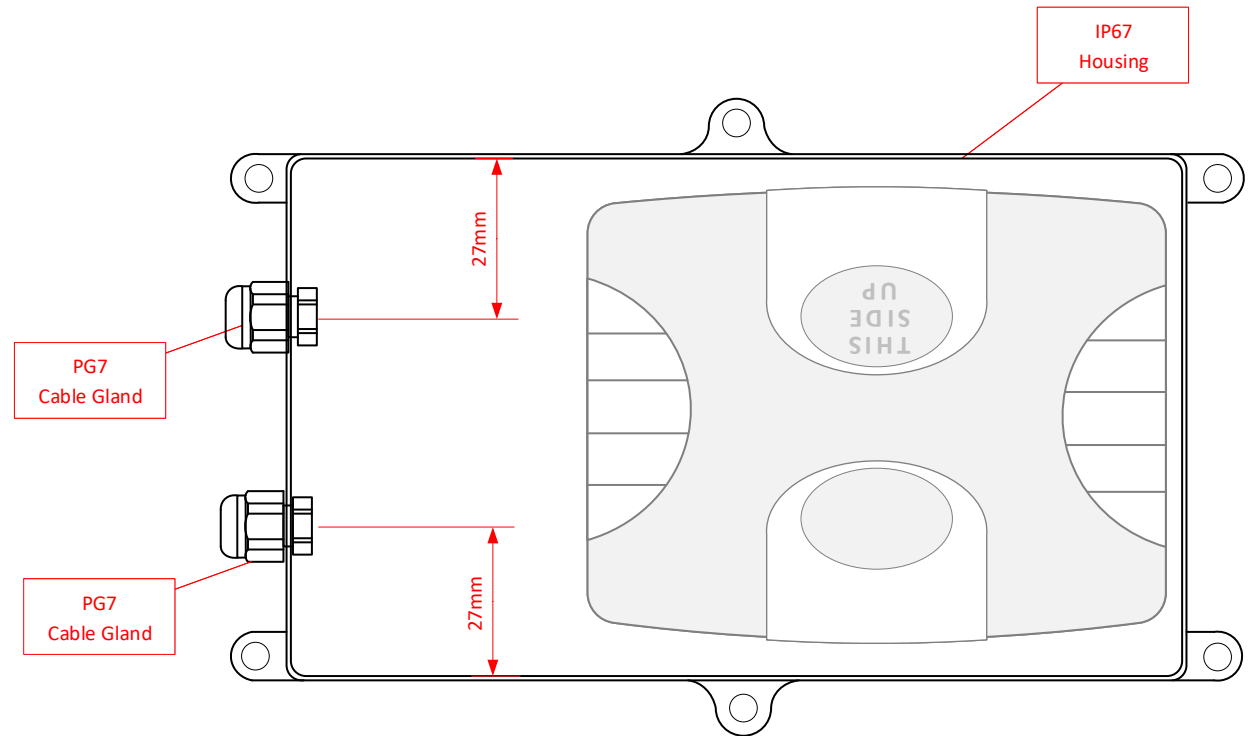



Comments	Version	Notes		N2031-013	 GSG Group
Internal Fuse		Date	07.03.2018	FleetSystem Cello IQ 30 IP67 Door input, Constant Ign.	
		Drawn by	Jan Åge Horn		
		Checked	Sign		
		Approved	Sign		
		Status	For Production		



Comments	Version	Notes		N2031-013	 GSG Group	
Internal Fuse		Date	07.03.2018	FleetSystem Cello IQ 30 IP67		
		Drawn by	Jan Åge Horn			Door input, Constant Ign.
		Checked	Sign			
		Approved	Sign			
		Status	For Production			