
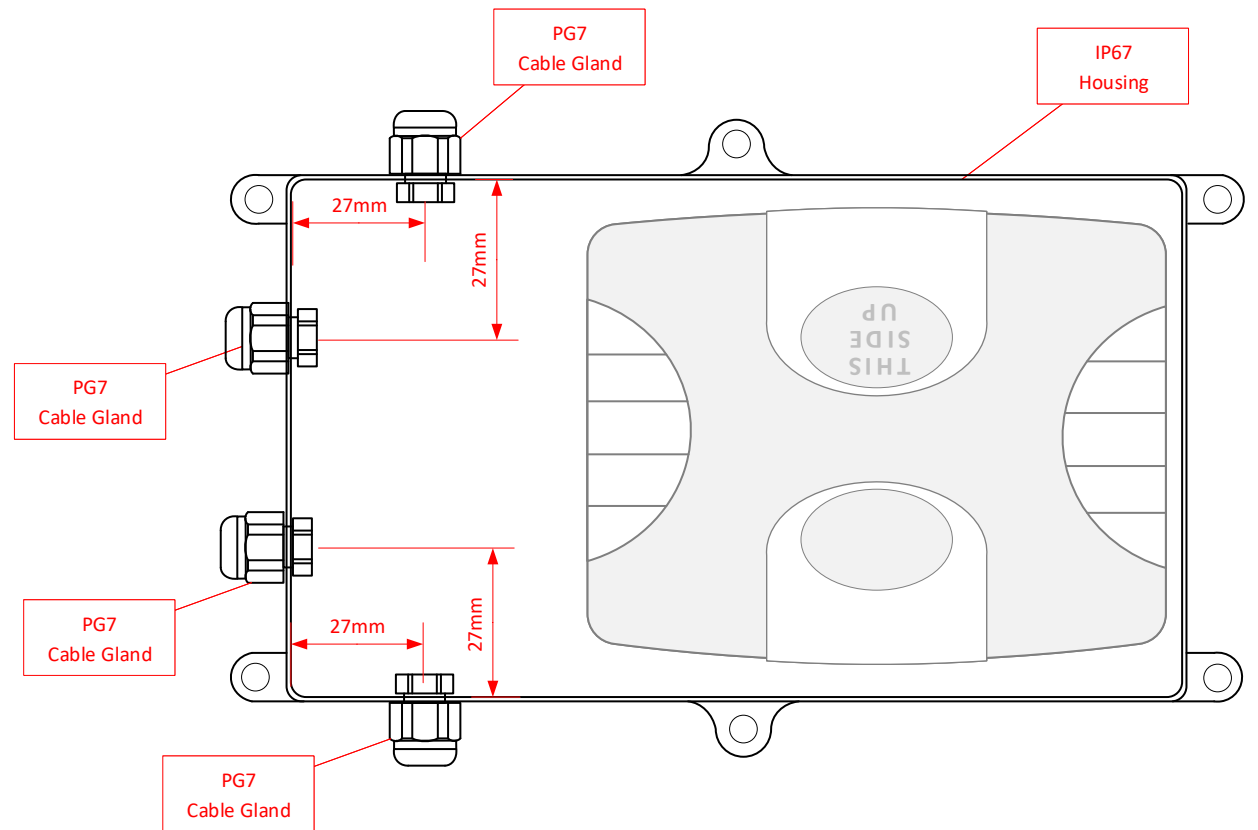
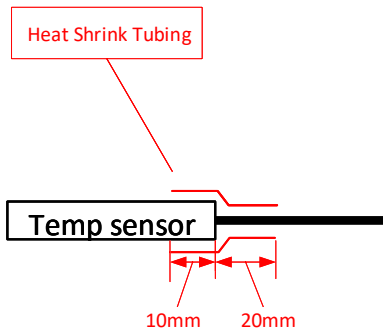



Comments	Version	Notes		N2031-007	 <b>GSG Group</b>
Internal Fuse		Date	07.03.2018		
		Drawn by	Jan Åge Horn	1XTemp & Door input & Ign. Relay	
		Checked	Sign		
		Approved	Sign		
		Status	For Production		



Comments	Version	Notes		N2031-007	 <b>GSG Group</b>
Internal Fuse		Date	07.03.2018	FleetSystem Cello IQ 30 IP67 1XTemp & Door input & Ign. Relay	
		Drawn by	Jan Åge Horn		
		Checked	Sign		
		Approved	Sign		
		Status	For Production		